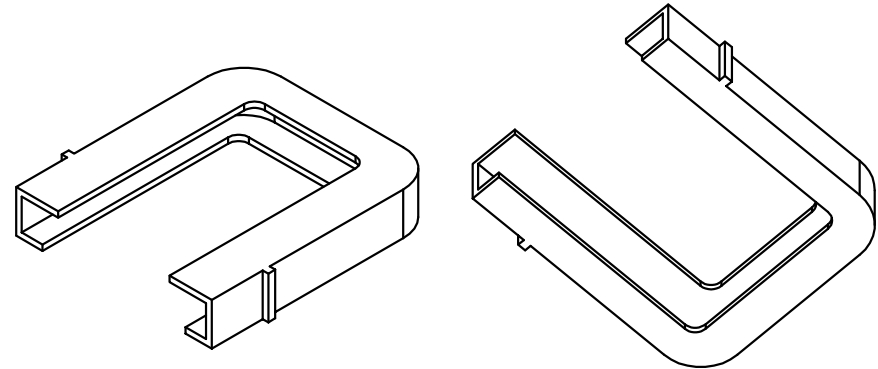
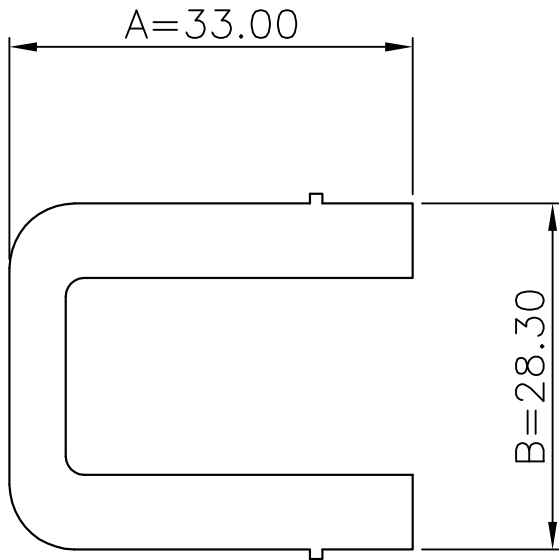
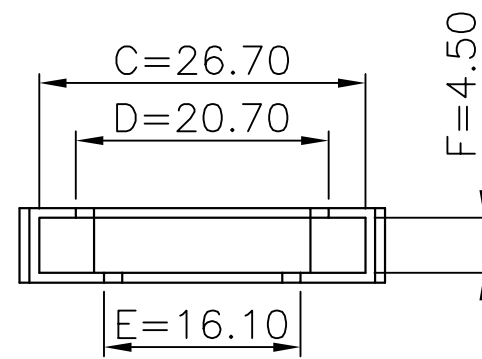
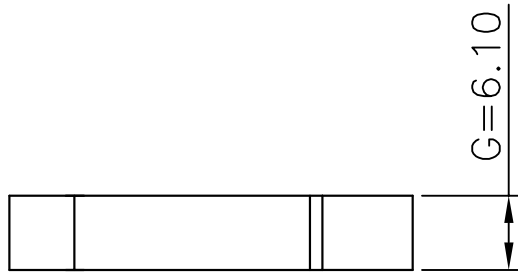


TOLERANCE	
0≤L≤4	±0.1
4≤L≤16	±0.2
16≤L≤50	±0.3
50≤L≤63	±0.4
63≤L≤75	±0.5
75≤L≤100	±0.7



REVISION NOTE				DATE	DRAWN	CHECKED	APPROVED
MARK							
DRAWN	CHECKED	APPROVED	MATERIAL : PBT	UL REC. : UL94V-0	THIRD ANGLE PROJ.	SCALE : 1/1	
KM, Seo	SH, Kim	C, Park	Z : PIN LENGTH (According to customer's request)	DATE : 2015.11.30	PIN TENSILE FORCE :	UNIT : m/m	
주희회사 대흥보빈 DAE HEUNG BOBBIN CO., LTD			TITLE EED 33*17 CAP		DWG NO DH-160720-2059-09		